

QuSpot for RUTX09

INTEGRATED OUTDOOR MULTI BAND LTE OMNI ANTENNAS + GPS ANTENNA + PLACE TO INSTALL TELTONIKA RUTX09 (ALL-IN-ONE)

QuSpot omni LTE antenna for Teltonika RUTx09 router is a perfect outdoor device for mobile and fixed installations like industrial, CCTV, hotspots, yachts, boats, campers, RV etc. It has embedded GPS antenna. If you use RUTx09 with QuSpot antenna, you get an integrated complete solution with embedded router and multi band antennas in one enclosure.



OUTDOOR

Use Teltonika router wherever you want

ANTENNA

Maximize your signal with QuWireless antennas

SOLUTION

Plug Teltonika router and you are good to go

LTE SPECIFICATION

FREQUENCY	0.694-0.96 GHz 1.7 - 2.2 GHz 2.2 - 2.7 GHz
GAIN	2 dBi 2 dBi 4 dBi
VSWR	<1.70, max <2.00 <1.60, max <2.00 <1.60, max <2.00
BEAMWIDTH	360°/35° +/- 5° 360°/35° +/- 5° 360°/35° +/- 5°
POLARIZATION	Vertical
IMPEDANCE	50 Ω

MECHANICAL SPECIFICATION

MATERIALS	ABS, aluminum, PTFE
INGRESS PROTECTION	IP67
DIMENSIONS	160 x 160 x 240 mm 6.3 x 6.3 x 9.45 inch
WEIGHT	1.5 kg 3.31 lbs
OPERATING TEMPERATURE	From -40°C to 75°C From -40°F to 167°F

DEVICE SPECIFICATION



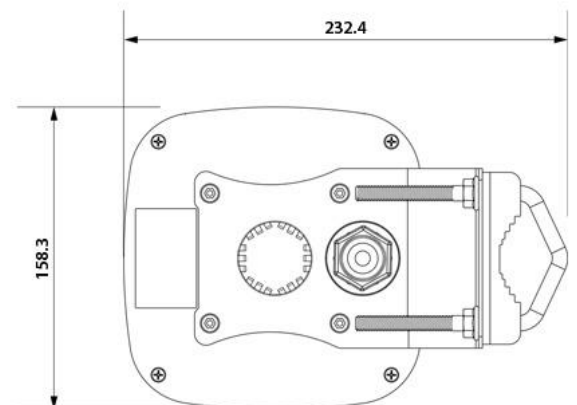
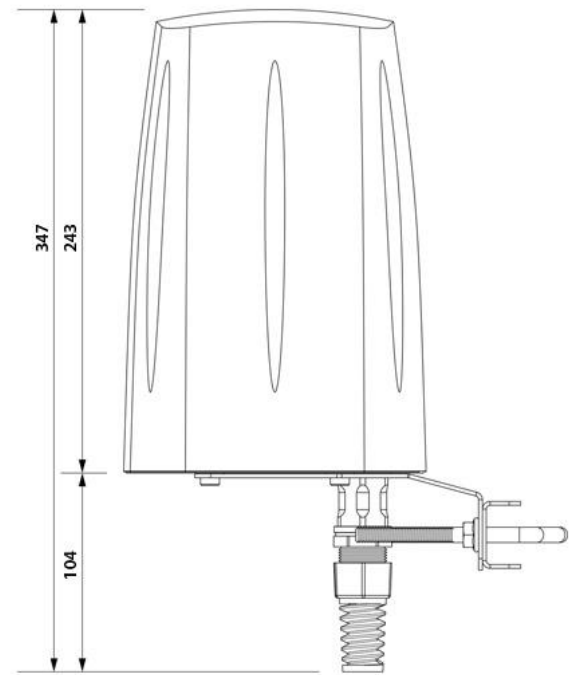
Next generation LTE-A Cat6 cellular IoT router with Dual SIM, Carrier Aggregation and Gigabit Ethernet interfaces. Rugged and powerful choice with VPN, Firewall and plenty of processing power for custom applications on OpenWrt based RutOS system.

[RUTX09 Datasheet](#)

[RUTX09 User Manual](#)

[RUTX09 Quick Start Guide](#)

DIMENSIONS



HEADQUARTER:

Wireless Instruments sp. z o.o.

ul. Kościuszki 27

52-116 Iwiny

POLAND

sales@quwireless.com

tel 1. +48 601 366 369

tel 2. +48 577 667 761

www.quwireless.com